



MTM ROBOTICS

Hand Held Wireless Hole Probe

(Preliminary and subject to change)



Delivering New Technology to the Factory Floor



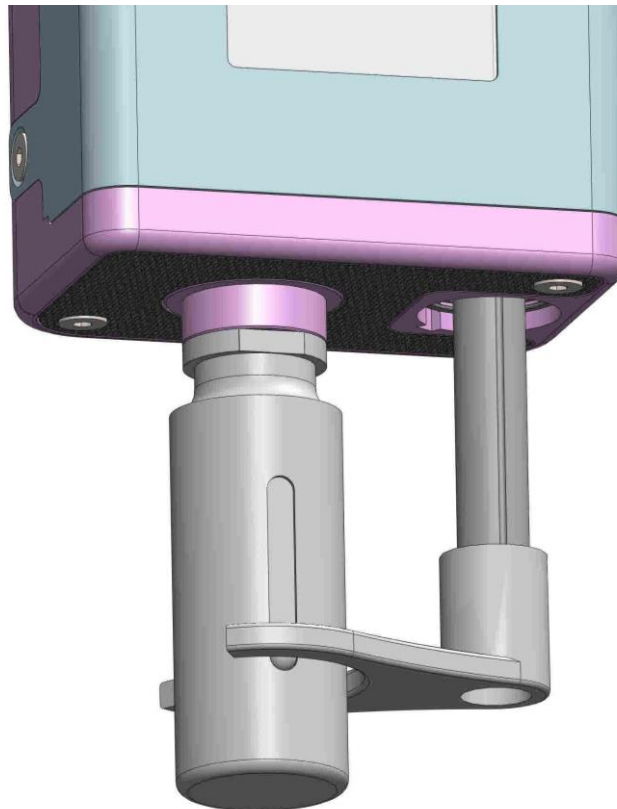
Hand Held Hole Probe

(Preliminary and subject to change)

Product Overview

The Hole Probe device is used to precisely analyse the entire depth and peripheral of a hole. It provides wireless, or wired, data communication and also has on-board memory for data storage. The unit is a self contained device that utilizes an on standard hole bore probe, has an integrated depth foot gauge, a simple user interface, and a battery that can be easily replaced or charged. With the compact size and narrow footprint, this device can analyze those hard to reach hole locations.

Our Hole Probe is user friendly and requires minimal training to operate. The hole analysis data can be displayed on the LCD interface which provides a straight forward way to identify if a hole is good or not.



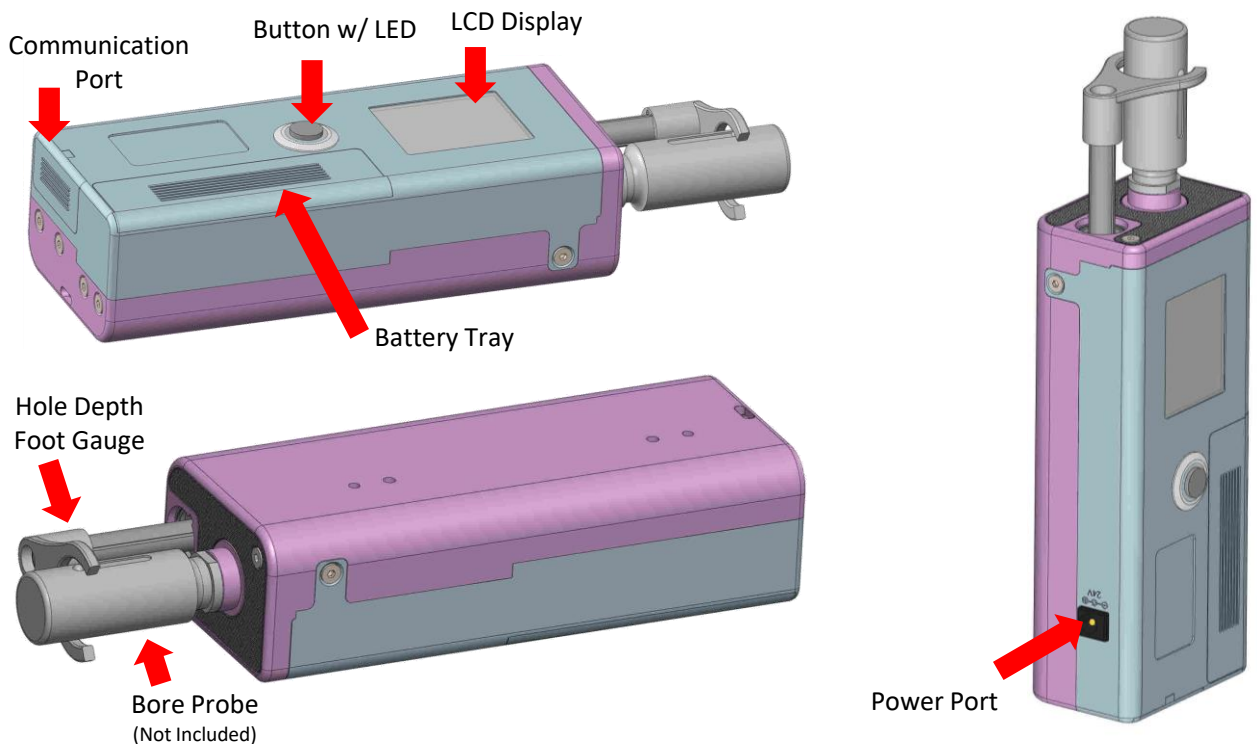


Hand Held Fastener Hole Probe

(Preliminary and subject to change)

Product Key Features

- Cordless and Fully Self-Contained Unit
- Complete Hole Characterization
- One Shot Diameter & Depth Measurement of Drilled Holes
- On-Board Computer Interface
- Utilizes Standard Mahr Federal Dimentron Through Hole Gages (not included)
- Removable battery pack allows for a quick battery swap



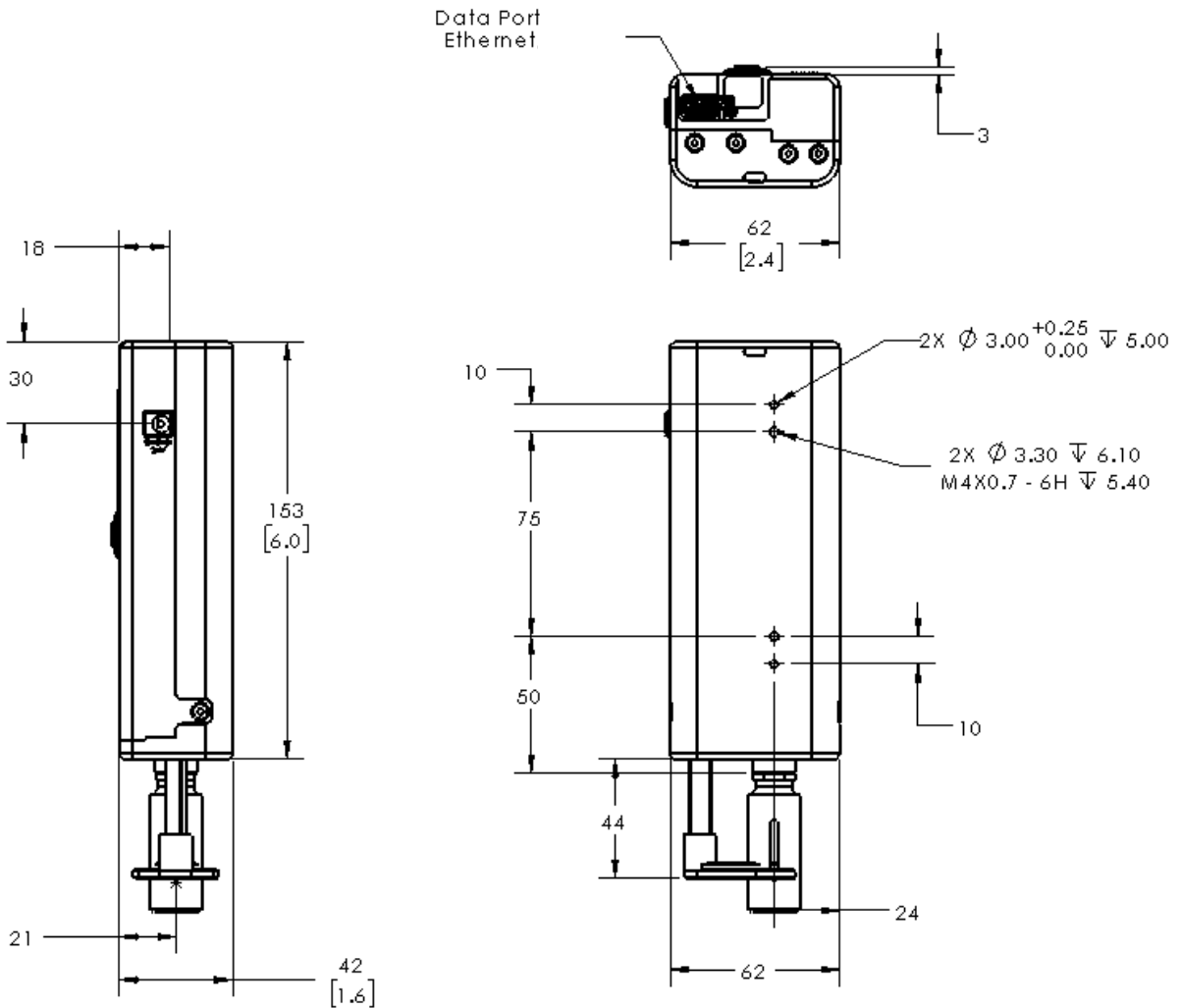
Technical Specifications (MTM PN: 1032450)

Fully Self-Contained Unit	Yes
Wireless Connection Method	Bluetooth 2.1
Wired Connection/On-board memory	100M Ethernet / 16MB Flash
Plug Gage Type	Mahr-Federal Dimentron Through Hole
Diameter Size Range	0.125" to 0.750"
Diameter Accuracy	0.0003in
Material Stack Depth	Up To 1.5"
Depth Accuracy	0.002in
Battery Powered (Lifetime)	Yes (4 to 6 hrs)
Includes (not shown)	DC Power supply, Communication cable 3ft w/flying leads
Size (L x W x H)	2.4" x 1.6" x 6.0"
Weight	1 lb



Hand Held Fastener Hole Probe

(Preliminary and subject to change)



>ALL DIMENSIONS AND NOTES ARE PRELIMINARY
>UNITS ARE IN MILLIMETERS [IN]